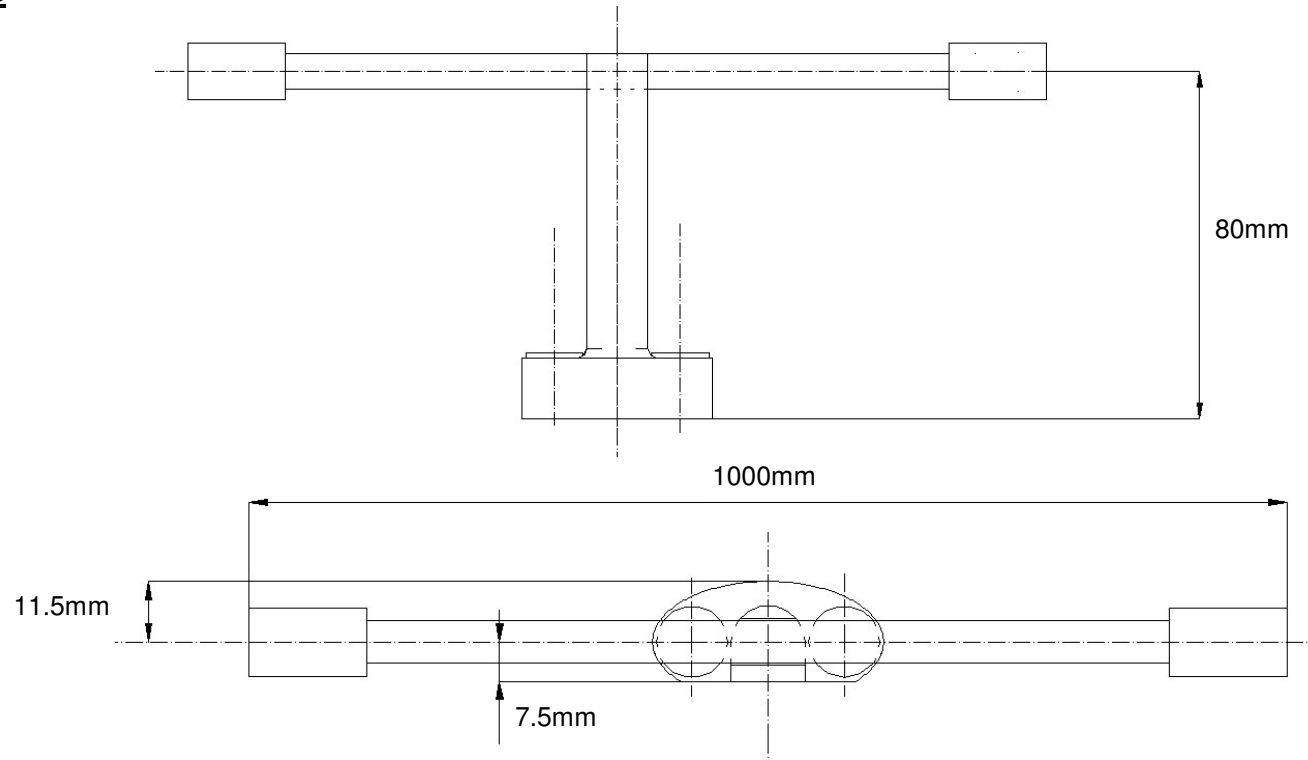


## Fiddle rail system – Technical data

### Size and Fixings



Available in 316S16SS in both mirror and satin finishes. Also available in gold and chrome plated brass.

A maximum rail length of 1000mm is achievable with the centre post.

Without the post a maximum rail length of 600mm is achievable.

The fixing points are screwed neatly into the works surface.

Curved rails are available to suit specific applications.

Any queries about specific applications, and please don't hesitate to contact our sales team. 01706 235200