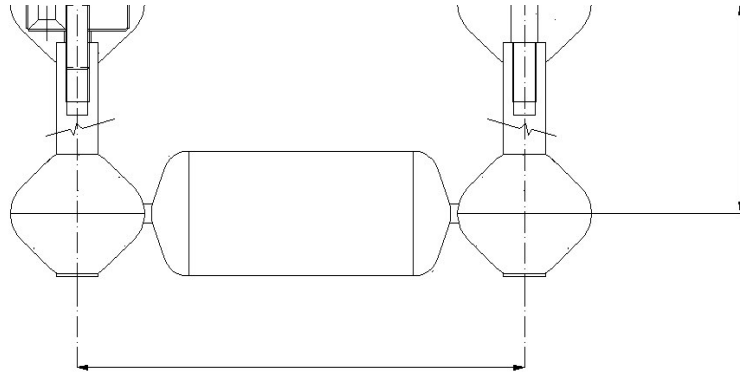


## Handrail system – Technical data

### Size and Fixings



Between the fixing points a minimum rail length of 150mm to a maximum rail length of 1500mm is achievable.

These lengths are adjustable to within 5mm.

The fixing points can achieve a minimum height 64mm and a maximum height of 100mm.

Available rail diameters are 32mm and 38mm.

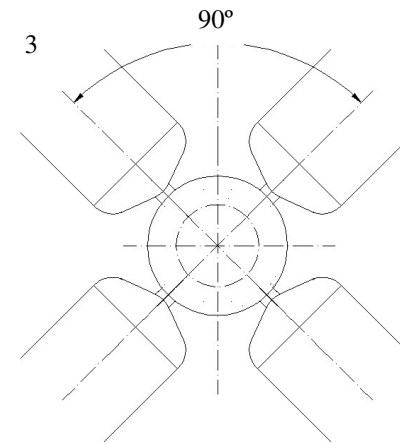
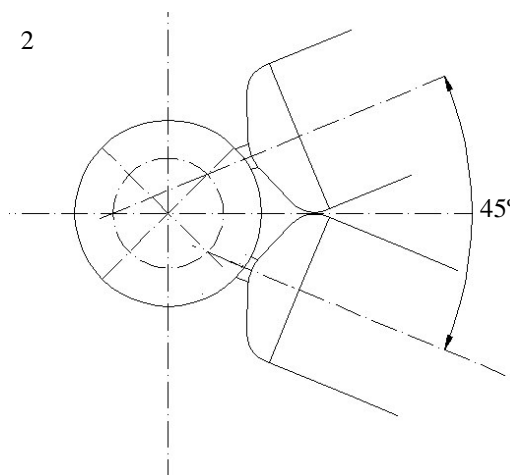
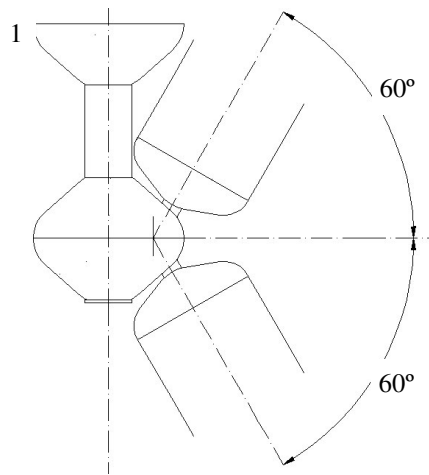
As shown the fixing points are achieved either via an adapter plate or via a bolt back fixing or stud.

A maximum angle of 60° is achievable in the vertical plane. (Image 1)

### Angles

A minimum arc of 45° is achievable in the horizontal plane. (Image 2)

A maximum of 4 rails can be attached per fixing point. (Image 3)



Any queries about specific applications, and please don't hesitate to contact our sales team. 01706 235200