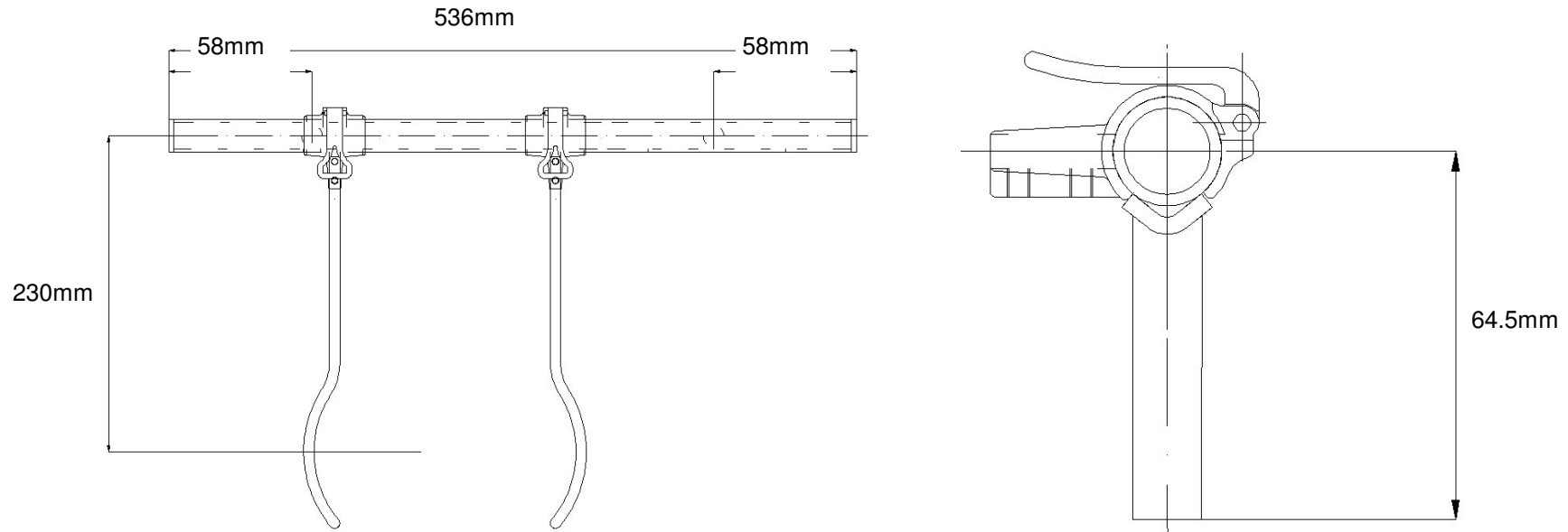


Stove clamp system – Technical data

Size and Fixings



One assembly consists of 1 Rail and 2 Arm assembly's.

The overall length is adjustable to suit any cooker size.

The fixing unit sits at a height of 64.5mm from the cooker surface.

A maximum arm length of 230mm can be achieved.

The fixing points are screwed neatly into the works surface.

Any queries about specific applications, and please don't hesitate to contact our sales team. 01706 235200